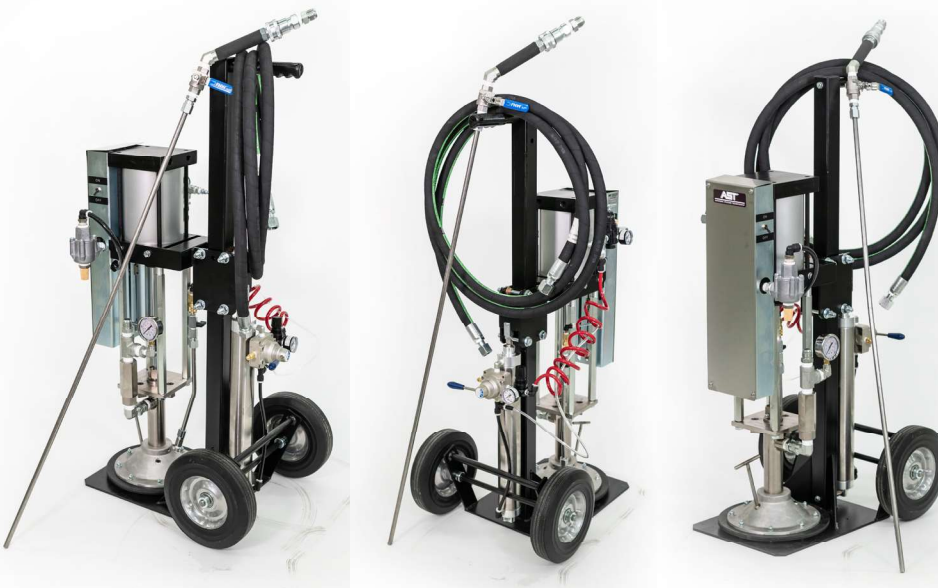


# PCV SP Smart Pump



## Portable, Reliable, Rugged Design

Your metering and mixing solution for joint filling and sealing.

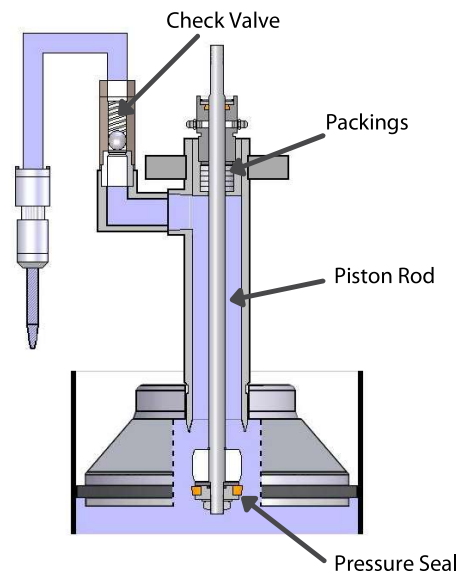
### Benefits

- Adjustable flow rate
- Better dispensing control of joint filling, sealing, and caulking
- Ideal for Single Component Silicones, Urethanes, and Fire Stop
- External check valve
- Pneumatically controlled elevator
- Self Priming
- Few moving parts, easy operation, and maintenance

### Specifications

Dimensions..... 16" L x 24" W x 48" H (200 lbs.)  
Volume Output ..... up to 0.25 gpm  
Tank size..... 5 gallon, stainless steel  
Cycle Rate ..... Up to 30 cycles/min  
Viscosity Range ..... 1 to 1,000,000 CPS  
Services Required... 6 cfm @ 90 psi

For more than 30 years, AST has provided contractors with custom metering and dispensing solutions. Now part of APPLIED Adhesives, this legacy will continue and expand delivering reliable, cost-effective, and highly efficient mixing and dosing systems.



**Let us show you cost savings in action.  
Contact us to schedule an appointment.**

[appliedadhesives.com](http://appliedadhesives.com)  
763-592-2060  
[orders@appliedproducts.com](mailto:orders@appliedproducts.com)

